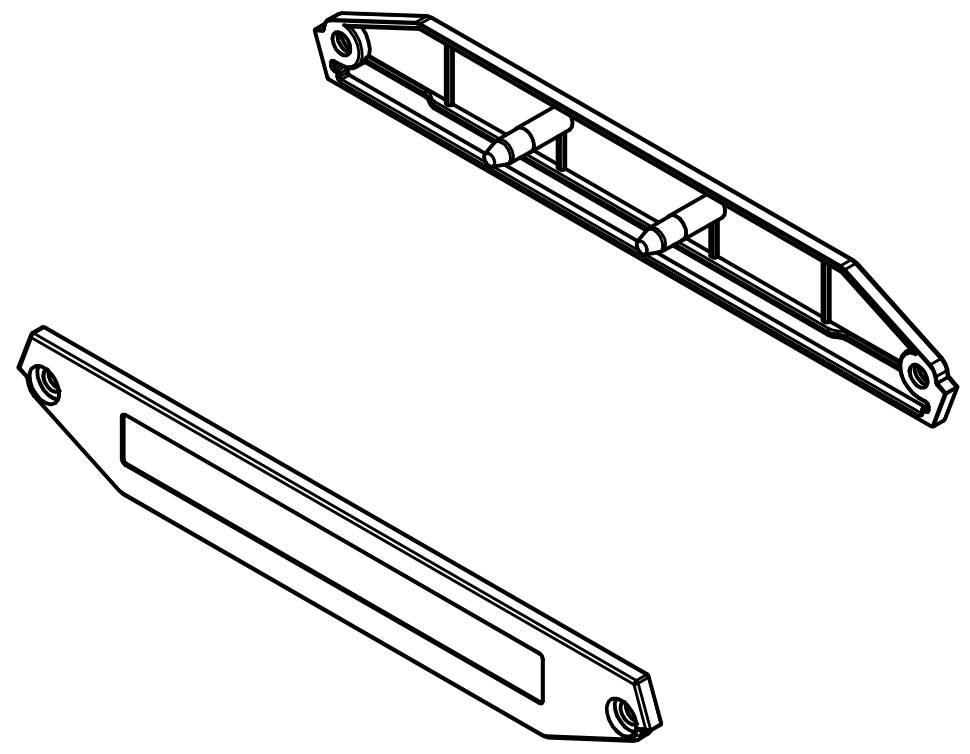
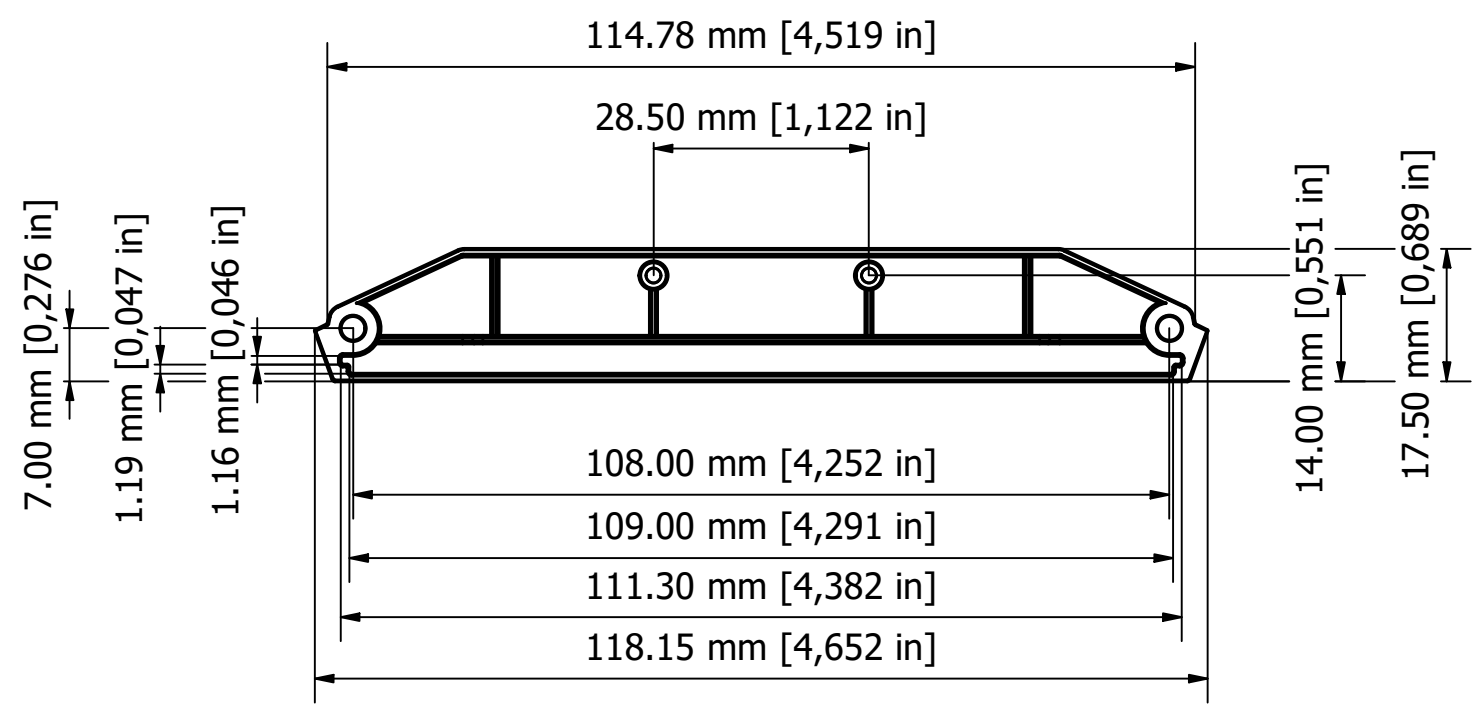
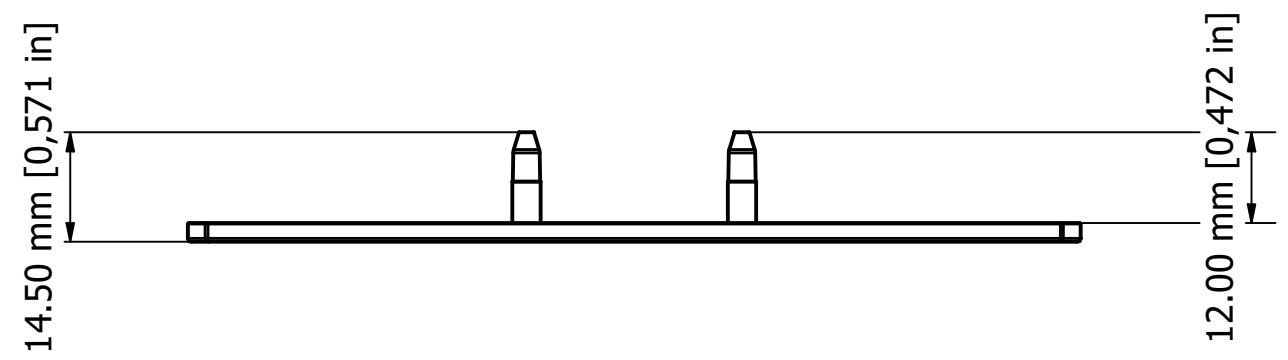
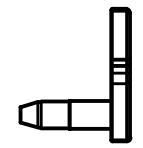
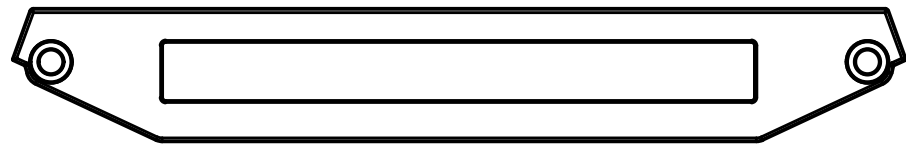



Notes
 PCB Length: 107 mm
 PCB Width: To Your Size

 Material: PA (UL94 V-0)



FIRST ANGLE PROJECTION

Designed by L Clark	Description End Cover	Date 14/01/2025	Scale 1:1
OKW ENCLOSURES LTD 15 Brunel Way, Segensworth East, Fareham, Hampshire, UK. PO15 5TX Tel: +44 (0)1489 583858 Email: sales@okw.co.uk		 www.okw.co.uk	
Part Number CIME/E/EC0000E		Issue 2	Sheet 1 / 1

© OKW Enclosures Ltd (Date as shown). This drawing contains proprietary information of OKW Enclosures Ltd and is tendered subject to the following conditions. The information be retained in confidence, not be reproduced or copied, and not be used or incorporated in any product, unless permission is obtained in writing from OKW Enclosures Ltd.